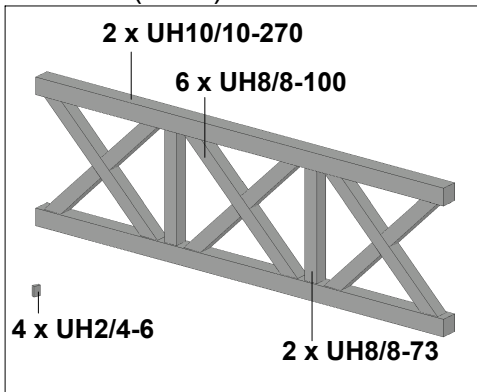


# Brüstung aus Andreaskreuzen für 4-Eck Pavillon

Parapet with St Andrew's cross design for pavillion

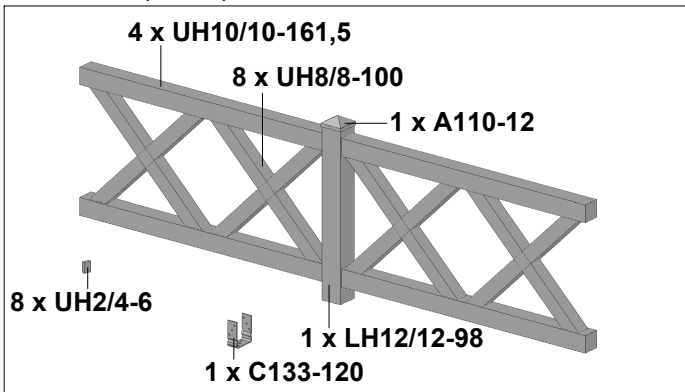


## 20938 5 (Gr. 1)



14 x C105-0050

## 21005 3 (Gr. 2)



2 x C111-3

1 x C110-014

4 x L208-070

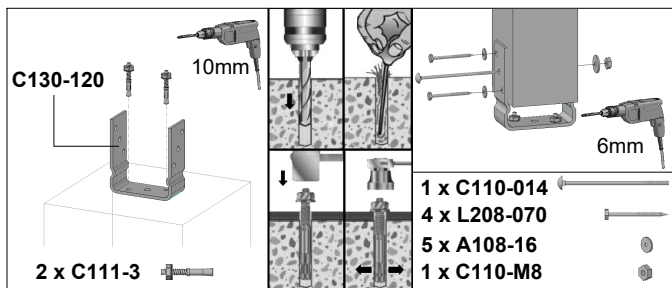
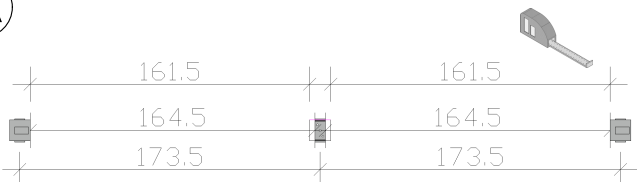
5 x A108-16

1 x C110-M8

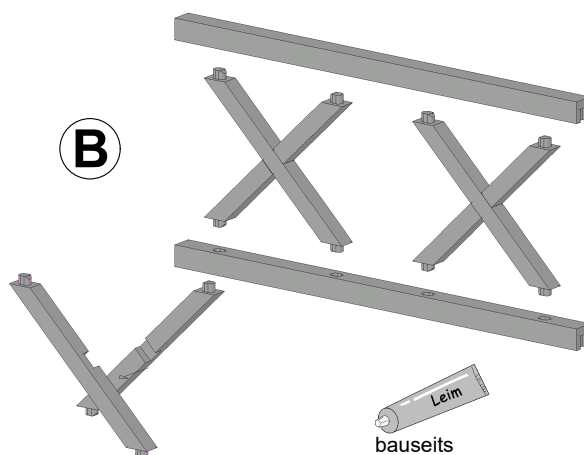
22 x C105-0050

2 x C103-0040

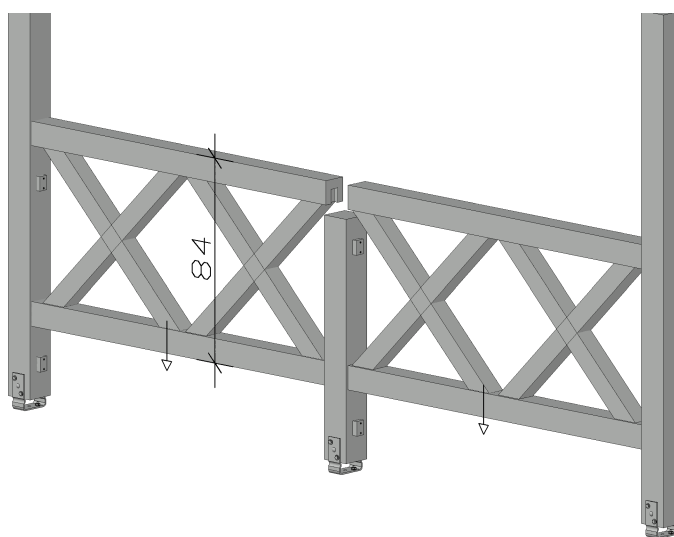
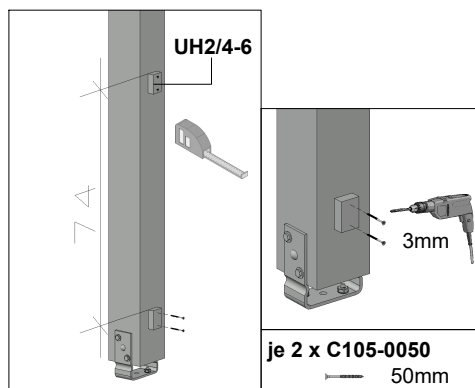
**A**



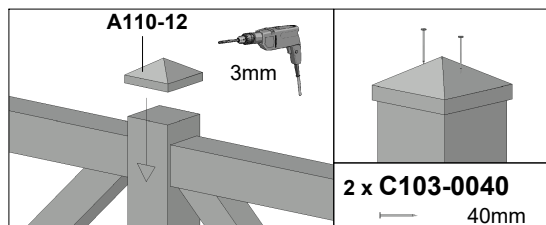
**B**



**C**



**D**

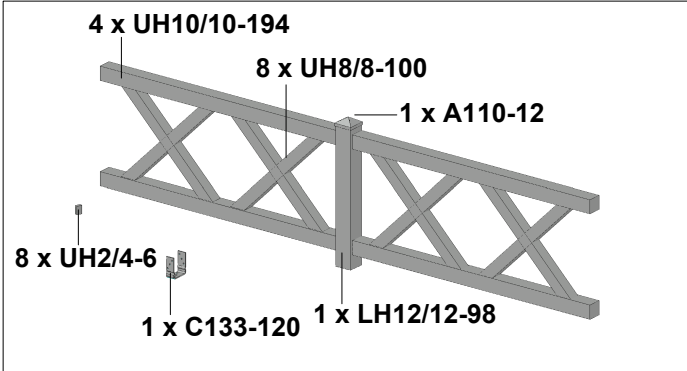


# Brüstung aus Andreaskreuzen für 4-Eck Pavillon

Parapet with St Andrew's cross design for pavillion

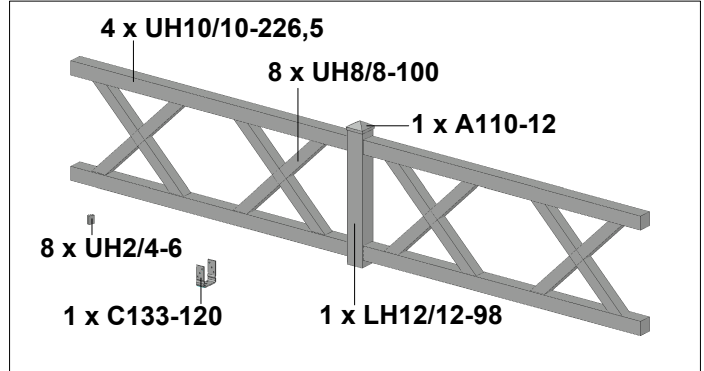


## 210060 (Gr. 3)



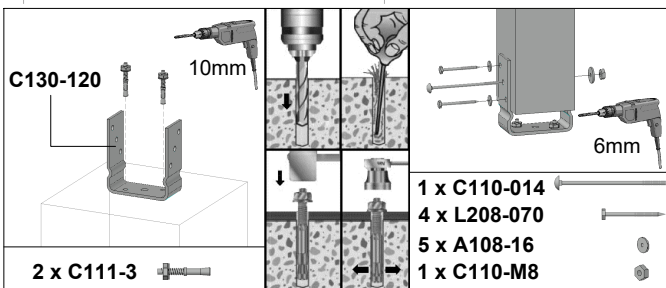
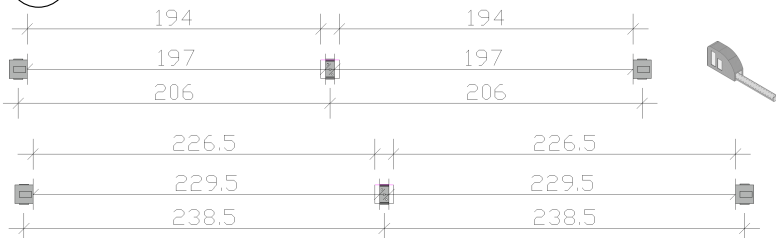
2 x C111-3		22 x C105-0050	
1 x C110-014		2 x C103-0040	
4 x L208-070			
5 x A108-16			
1 x C110-M8			

## 210077 (Gr. 4)

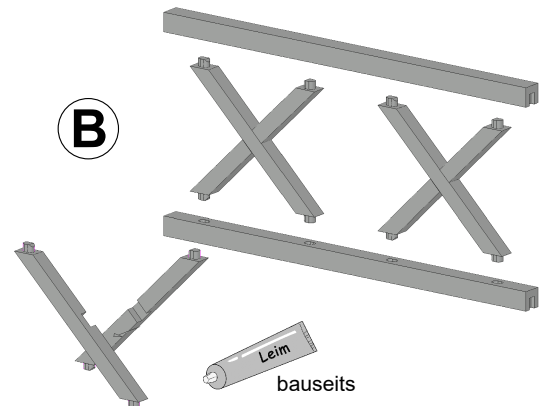


2 x C111-3		22 x C105-0050	
1 x C110-014		2 x C103-0040	
4 x L208-070			
5 x A108-16			
1 x C110-M8			

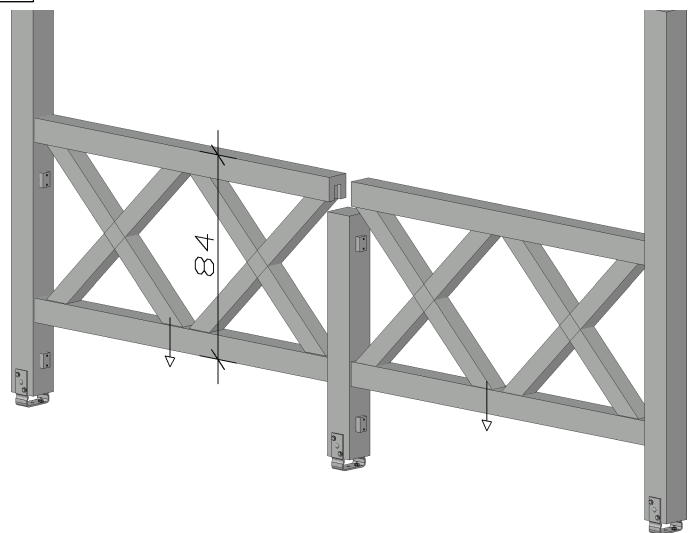
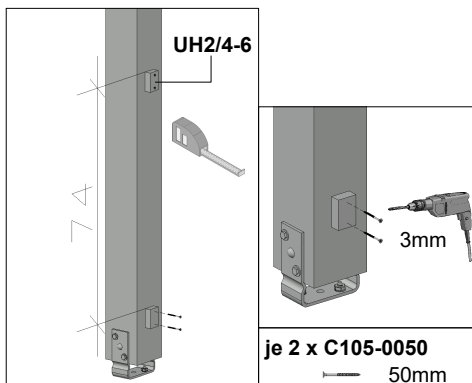
### A



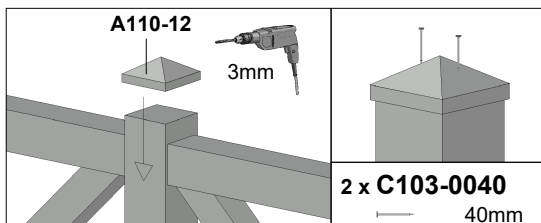
### B



### C



### D



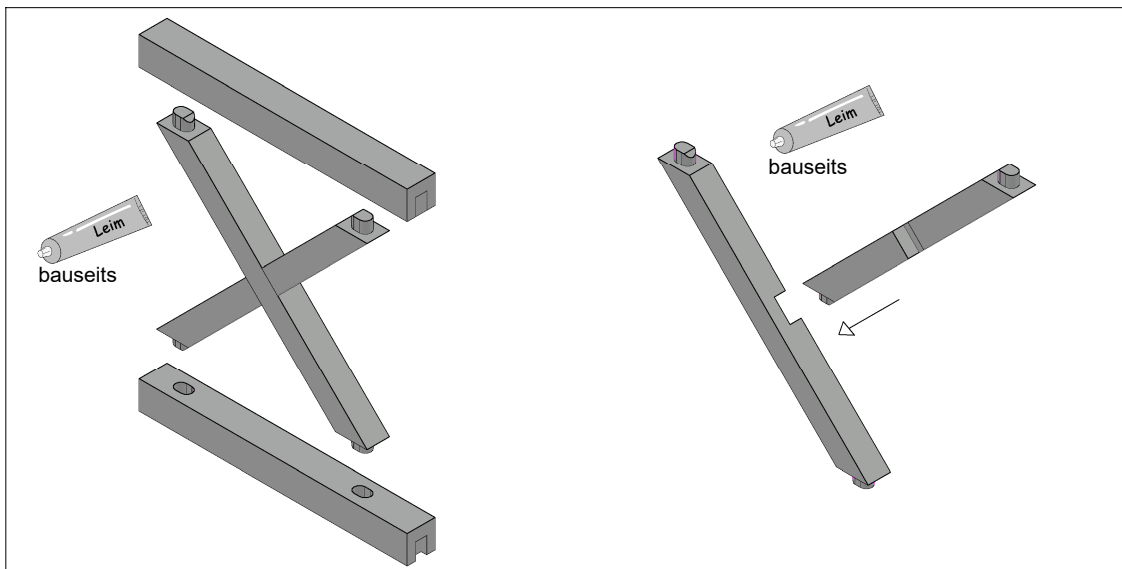
# Brüstung aus Andreaskreuzen für 4-Eck Pavillon

Parapet with St Andrew's cross design for pavillion



210008

	<p>14 x C105-0050</p> <p>2 x C103-0040</p>	<p>C133-120</p> <p>10mm</p>
	<p>Pfostenplan / Postsplan</p>	<p>2 x C111-3</p> <p>6mm</p>



<p>3mm</p> <p>UH2/4-6</p> <p>74</p> <p>16</p> <p>je 2 x C105-0050</p> <p>50mm</p>	<p>3mm</p> <p>1 x A110-12</p> <p>40</p> <p>2 x C103-0040</p> <p>40mm</p>
-----------------------------------------------------------------------------------	--------------------------------------------------------------------------