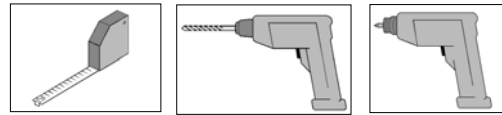
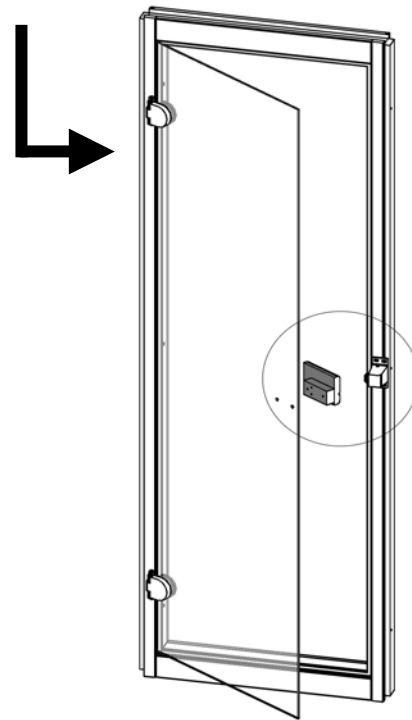
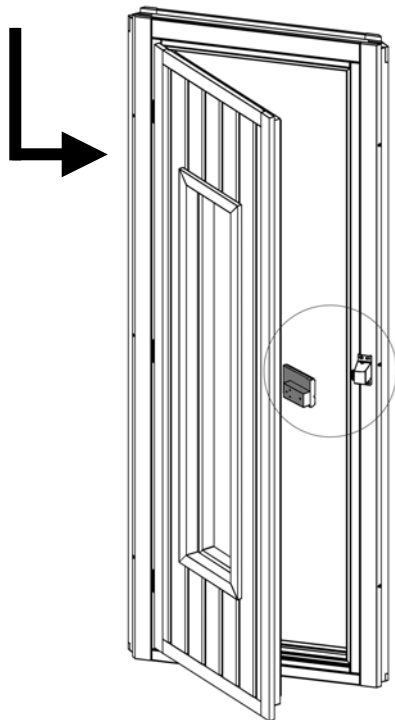


<b>D</b>	<b>Saunatürgriff, innen</b>
GB	Sauna door handle, internal
F	Poignée de porte intérieure du sauna
I	Maniglia porta sauna, interna
E	Pomo de puerta de la sauna, interior
P	Manípulo da porta da sauna, interior
H	A szauna belső kilincse
NL	saunadeurgreep, binnen
HR	Ručka na vratima saune, unutarnja
SLO	notranji ročaj vrat

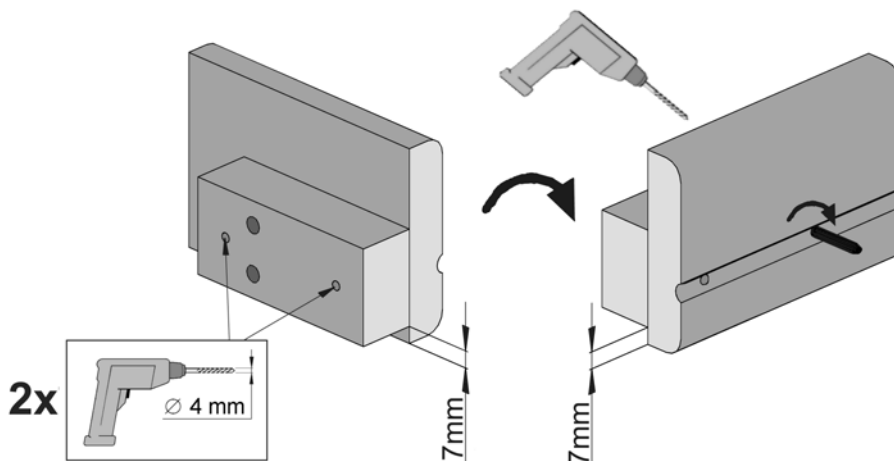


D	links		
GB	left	H	bal
F	gauche	NL	links
I	sinistra	HR	lijevo
E	izquierda	SLO	levo
P	esquerda		

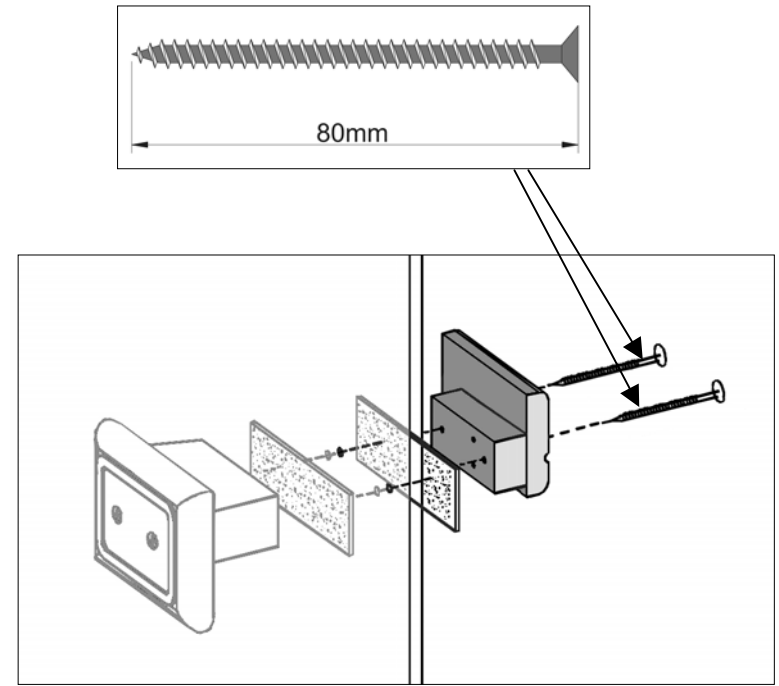
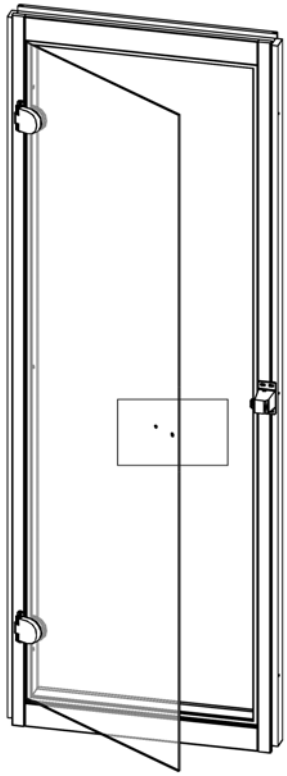
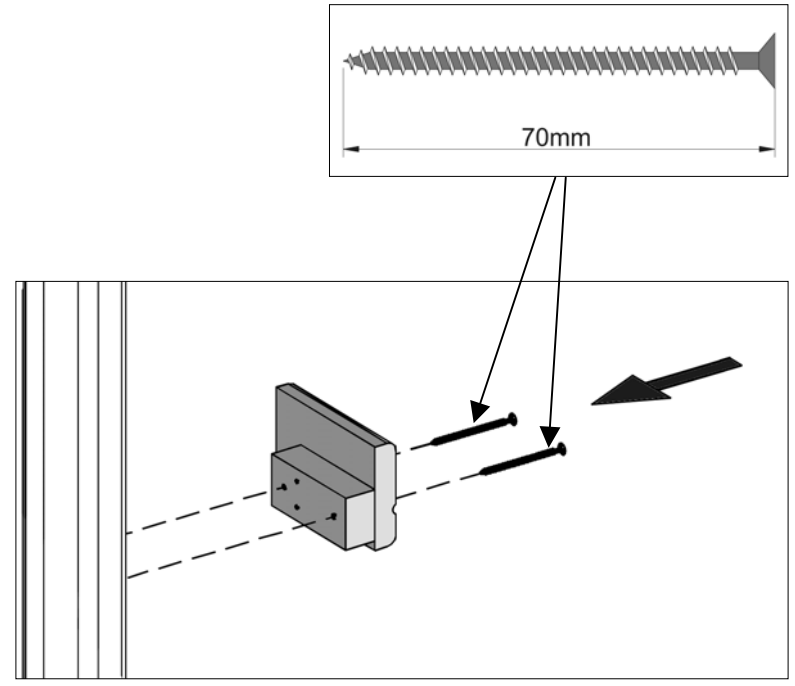
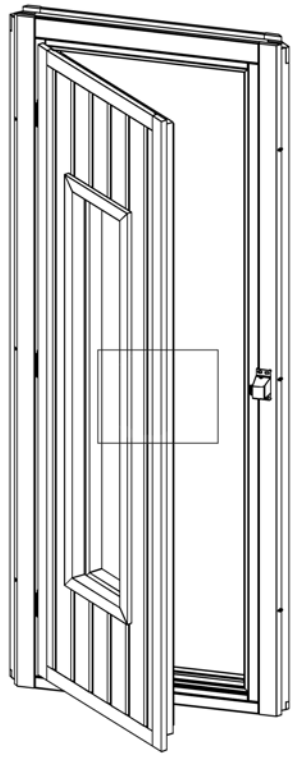
D	links		
GB	left	H	bal
F	gauche	NL	links
I	sinistra	HR	lijevo
E	izquierda	SLO	levo
P	esquerda		



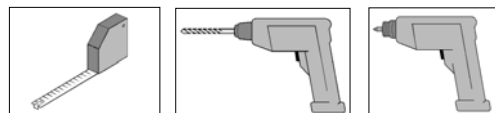
1.



2.

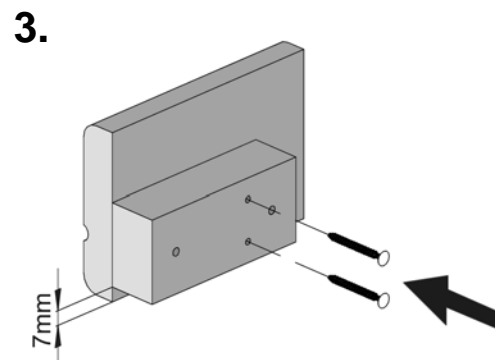
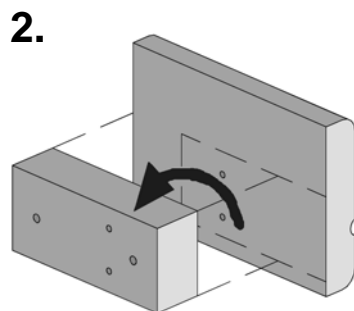
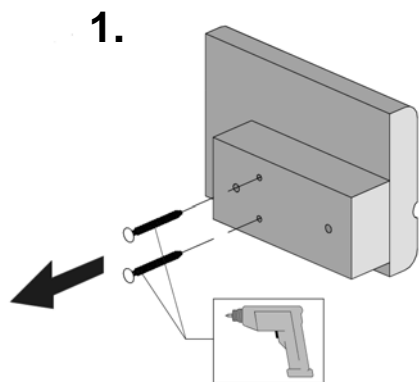
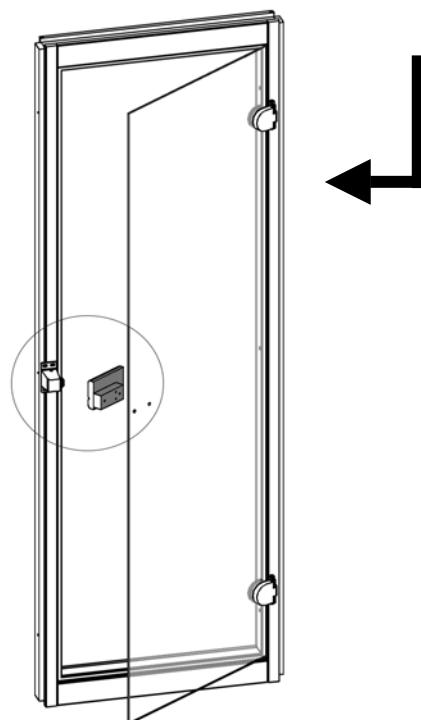
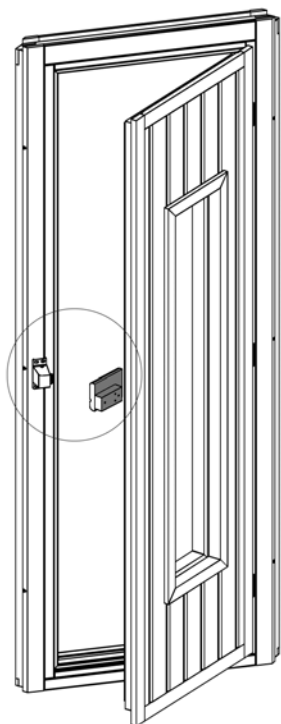


<b>D</b>	<b>Saunatürgriff, innen</b>
GB	Sauna door handle, internal
F	Poignée de porte intérieure du sauna
I	Maniglia porta sauna, interna
E	Pomo de puerta de la sauna, interior
P	Manipulo da porta da sauna, interior
H	A szauna belső kilincse
NL	saunadeurgreep, binnen
HR	Ručka na vratima saune, unutarnja
SLO	notranji ročaj vrat

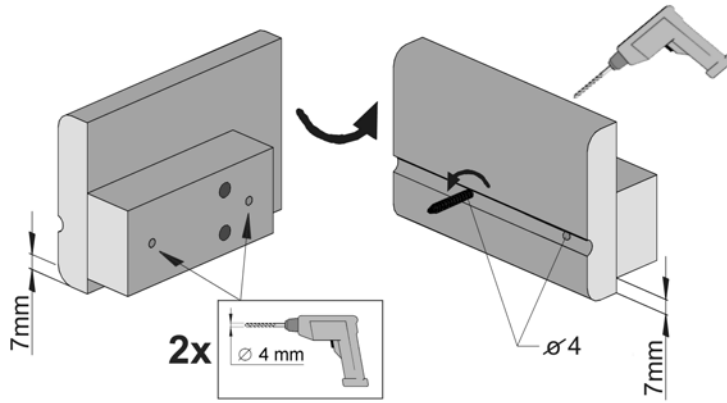


<b>D</b>	rechts		
GB	right	H	jobb
F	droite	NL	rechts
I	destra	HR	desno
E	derecha	SLO	desno
P	direita		

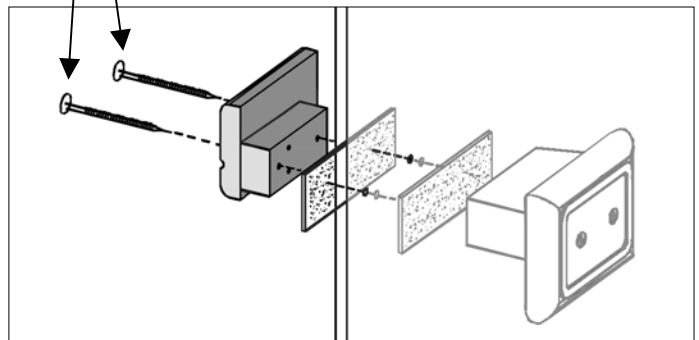
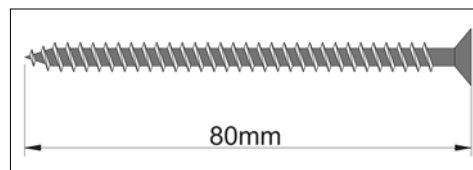
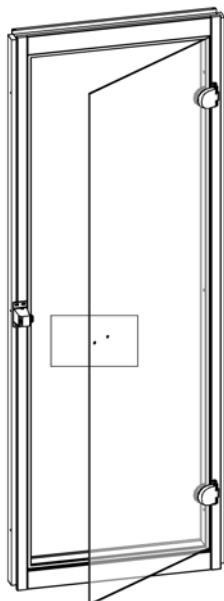
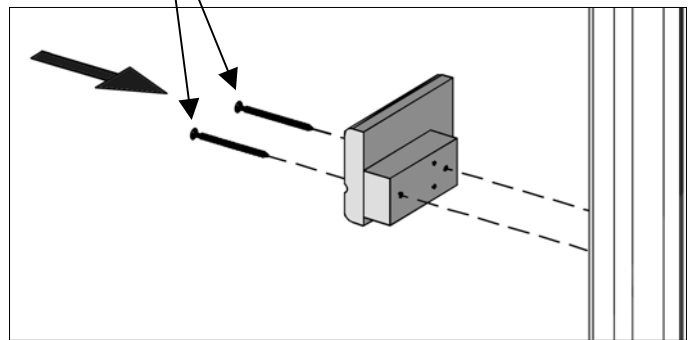
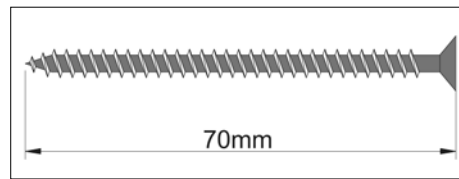
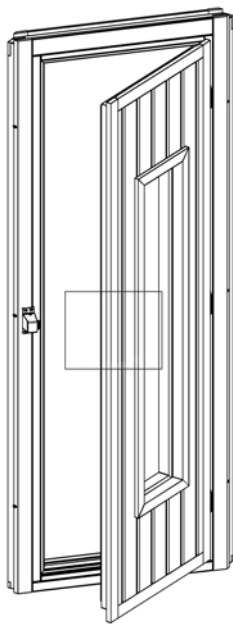
<b>D</b>	rechts		
GB	right	H	jobb
F	droite	NL	rechts
I	destra	HR	desno
E	derecha	SLO	desno
P	direita		



4.



5.



MA.-Art.-Nr.: 800.0286.15.13